

CDI | CENTRALINA

171.0677 Minarelli AM6 Euro 4 - 5

171.0523 Kill-switch - Interruttore di massa

SPARE PARTS | RICAMBI


PART NUMBER	STATOR	FLYWHEEL	STATOR PLATE	COIL	IGNITION CASE	SHIM	FLYWHEEL NUT	COOLING FAN	COIL BRACKET	PICK-UP	VOLTAGE REGULATOR
171.0528 - Piaggio	▲		171.0617			144.200.007	323.0111				
171.0529 - MBK Booster	▲		171.0618			144.200.007	144.310.003				
171.0531 - Yamaha-Minarelli	▲		171.0618			144.200.007	144.310.003				
171.0532 - Minarelli AM6	▲	171.0623	171.0626			144.200.007					
171.0533 - Derbi Senda	▲	171.0623	171.0627			144.200.007					
171.0536 - Minarelli AM6 avviam.elett.	▲					144.200.007					
171.0537 - Piaggio - Gilera digitale	▲	171.0638	171.0641	171.0640	171.0639	144.200.007	323.0111			171.0651	
171.0538 - Yamaha-Minarelli ARIA digit.	▲	171.0638		171.0640	171.0639	144.200.007	144.310.003			171.0651	
171.0539 - Yamaha-Minarelli LC digit.	▲	171.0638		171.0640	171.0639	144.200.007	144.310.003			171.0651	
171.0540 - Minarelli AM6 digitale	▲	171.0638		171.0640	171.0639	144.200.007				171.0651	
171.0541 - MBK Booster 2004/2005	▲		171.0637			144.200.007	144.310.003				
171.0542 - Piaggio - Derbi 6M digitale	▲	171.0638		171.0640	171.0639	144.200.007				171.0651	
171.0543 - Vespa 125 ET3 cono Ø20		171.0650	171.0648	171.0652	171.0645		928.310.004	171.0644	171.0646		928.830.001
171.0544 - Vespa 125 ET3 digit.cono Ø20		171.0643	171.0649	171.0653	171.0640	144.200.007	928.310.004	171.0644		171.0651	
171.0545 - Vespa 125 ET3 cono Ø19		171.0650	171.0647	171.0652	171.0645		323.0112	171.0644	171.0646		928.830.001
171.0546 - Piaggio - Gilera digitale	▲		171.0660	171.0640			144.310.002			171.0651	
171.0547 - Yamaha-Minarelli-MBK	▲			171.0640			144.310.003			171.0651	
171.0548 - kit centralina universale	▲	171.0671 (wiring-cablaggio)		171.0640						171.0651	
171.0549 - Vespa PX-PE 125/150/200		171.0657	171.0655	171.0658	171.0645		928.310.004	171.0654			
171.0550 - Vespa PX-PE 125/150/200 Avv.El.		171.0657	171.0656	171.0658	171.0645		928.310.004	171.0654			
171.0551 - Piaggio Ape 50		171.0662	171.0663	171.0652	171.0645		928.310.004	171.0664			
171.0552 - Piaggio digitale PVL		171.0665	171.0667	171.0669		171.0666	144.310.002				
171.0553 - Yamaha-Minar. digitale PVL		171.0665	171.0672	171.0670		171.0666	144.310.002				
171.0554 - Vespa 125 ET3 digitale PVL		171.0673	171.0674	171.0675		171.0666	928.310.004	171.0644			
171.0555 - Minarelli AM6-Derbi digitale PVL		171.0665	171.0672			171.0666					

▲ : out of stock - esaurito

 APPLICATIONS TABLE
 CYLINDER KITS
 MUFFLERS
 TRANSMISSIONS
 FUEL SYSTEMS
 ENGINE SPARE PARTS
 SETUP
 BLUE LINE
 MINIBIKES
 HI-SPEED E-BIKE

SPARK PLUG HOOD | CAPPuccio COPRICANDELA



246.010.A



5K - Ohm

246.021 Ø10 - 12



5K - Ohm

246.024 Ø12



5K - Ohm

246.025 Ø12 Vespa



Racing P.R.E.

246.026 Low-ceramic-ceramica bassa

SERVICE TOOLS | ATTREZZI MANUTENZIONE



14x1,25

173.0002 Advance check tool for ignition with comparator
Attrezzo controllo anticipo accensione con comparatore



143.695.001 Vespa flywheel puller 22x1,5
Estrattore volano 22x1,5 Vespa



144.695.002 Piaggio flywheel puller 19x1
Estrattore volano 19x1 Piaggio



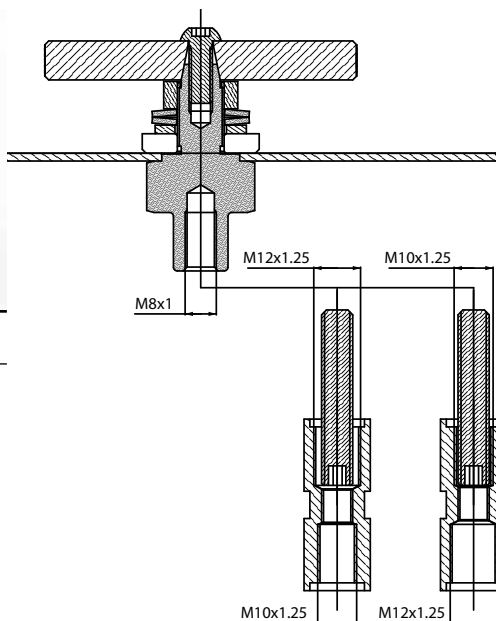
143.695.008 Puller for internal rotor ignition Pvl
Estrattore accensione Pvl con rotore interno



318.0001 Vespa 50/125 Primary gear puller - Estrattore
ingranaggio primario Vespa 50/125



173.0003 Graduated disc for advance and timing check
Disco graduato controllo anticipo e fasi



Graduated disc to check the timing and ignition setting of 2 and 4 stroke engines. Made of anodized aluminum, the bigger outside diameter (220mm) lets a careful control of the timing. It is supplied with fixing adaptors with M8x1 - M10x1,25 - M12x1,25 thread.

Disco graduato per il controllo della fasatura distribuzione e accensione di motori 2 e 4 tempi. Realizzato in alluminio anodizzato, il grande diametro esterno (220 mm) permette un controllo accurato della fasatura. Fornito completo di adattatori per il fissaggio su filettature M8x1 - M10x1,25 - M12x1,25

APPLICATIONS TABLE
CYLINDER KITS
MUFFLERS
TRANSMISSIONS
FUEL SYSTEMS
ENGINE SPARE PARTS
SETUP
BLUE LINE
MINIBIKES
HI-SPEED E-BIKE